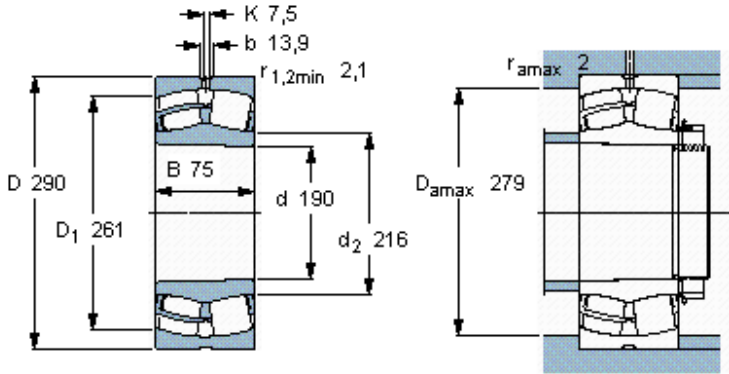


Spherical roller bearings, cylindrical and tapered bore

Principal dimensions			Basic load ratings		Speed ratings		Designation
d	D	B	dynamic C	static C0	Reference speed	Limiting speed	
mm			kN		r/min		<b>* SKF Explorer bearing</b>
<b>190</b>	290	75	916	1340	1900	2400	23038 CCK/W33 *



Tapered bore, taper  
1: 12

**Calculation factors**

- e 0,23
- $Y_1$  2,9
- $Y_2$  4,4
- $Y_0$  2,8